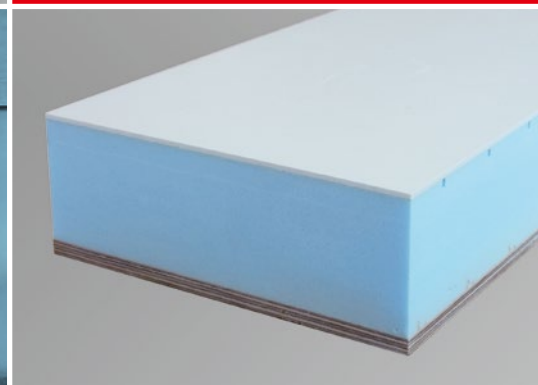


Gluing technologies
for sandwich elements



Adhesive dosing, mixing
and application systems



OEST SYSTEMS

Machines for dosing and application of adhesives

When it comes to partly or fully automated application processes of adhesives or other liquids, Oest offers custom-made solutions.

As a specialist for different adhesive application systems, with more than

50 years of experience, we cover almost all fields of application for all common 1-, 2- or 3-component adhesives.

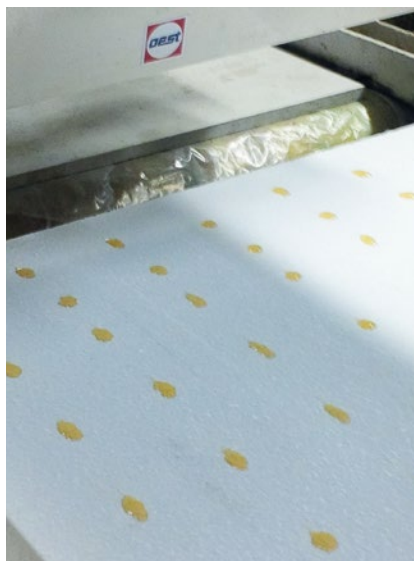
For sandwich elements of all kinds – from caravan and mobile homes to maritime applications, elements for

interior and exterior insulation and commercial vehicle construction.

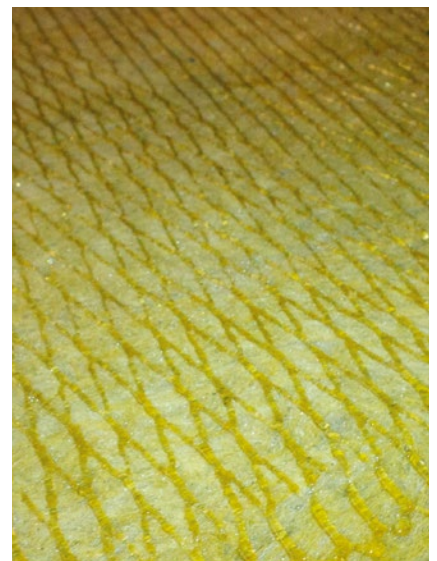
Surfaces with an application width of up to 6 m as well as special shapes and edges can be processed in a process-optimized manner.



Thread application



Dot application



Diamond application



Whether in planning, implementation or support, you benefit from bundled specialist know-how.

You can also use services from the area of process visualization and quality management, as well as complete material handling management.

Oest is also a strong partner in the development of new adhesive applications.

We develop and design individual solutions for your requirements.

Convince yourself about our flexibility, innovative power and service competence, which will make your production processes more efficient, safer and more cost-effective.



Factory assembly



Application solutions for 1C adhesive systems Series OA 100 S

For the automatic gluing of flat work-pieces, Oest offers equipment for the application of one-component adhesives.

Primarily PUR adhesives are processed.

For the exact adhesive dosing different machine concepts are available with servo dosing technology.

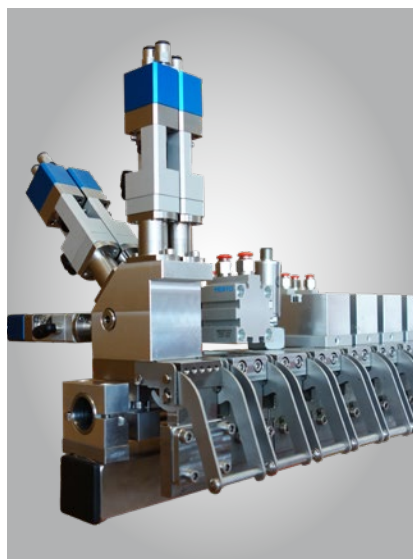
Depending on the application and requirements different application heads can be used:

Application head FACETAC F with quick exchange nozzles in the grid of 50 mm.

Application head PROFITAC F with single needle valve for each adhesive thread.



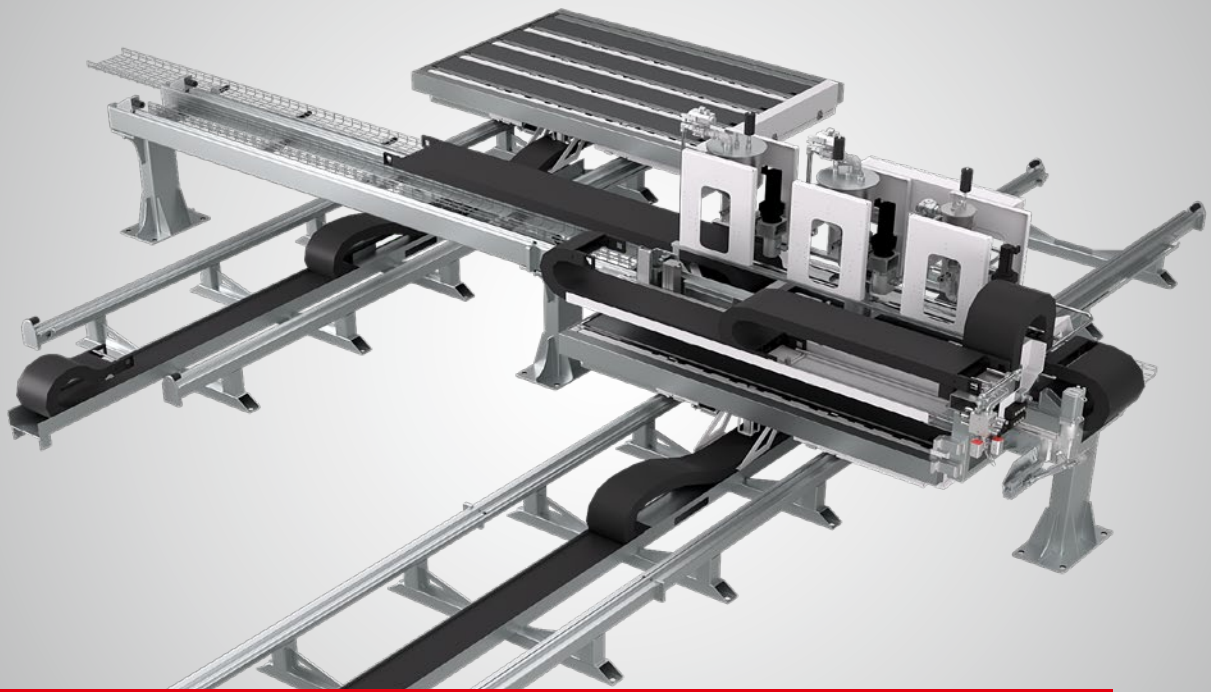
Dosing unit KONTITOP with servo drive



Application head FACETAC F



Application head PROFITAC F



Application solutions for 2C adhesive systems Series OP 100 S

Oest offers also dosing, mixing and application systems for adhesives with two liquid components.

The used pump technology ensures continuous and pulsation-free dosing.

With a static mixer, all components are mixed in-line under absence of air. Special application heads with individually controllable valves ensure the exact adhesive application.

The flushing station prepares the rinsing agent. It can therefore be used several times. Good for the environment and costs reductions.

The area of the adhesive mixture is kept as small as possible in order to facilitate the cleaning.



Application head 2C PROFITAC Z



Flushing station application head



Automation and material handling equipment Holistic solutions – all from one hand

At Oest you will also receive by request integrated solutions of automation and material handling equipment for your application systems.

In addition to adjustment and mounting mechanisms for our application

heads, static or moving adhesive application portals as well as gluing-tables, we can also offer the entire range of material handling equipment:

Unstacking, loading, laying, transportation, alignment, turn-over, transferring, placing.

A robust design and high functionality characterize our systems.

From planning to realization – all from one hand.



Gluing portal



Material transport system



Vacuum technology



Accessories

For your individual needs

Oest offers customized solutions for almost every customer request.

Our glue dosing and application systems are individual expandable through various accessories.

Including among others:

- Supply systems for the flexible placement of the material container
- Climate conditioning to improve flow ability at low temperatures
- Water spray units
- Water decalcify plants
- CAD connections
- Collecting trays for drums and IBC container



Subframe for adhesive containers with transfer unit



Water spray unit



Innovative technologies
for dosing and application
of adhesive systems.

OEST SYSTEMS GmbH & Co. KG

Robert-Bürkle-Straße 7
D-72250 Freudenstadt
phone +49 74 41 539-400
systems@oest.de
www.oestgroup.com

OEST GROUP GERMANY



Member of VDMA, Verband Deutscher
Maschinen- und Anlagenbau e.V.

